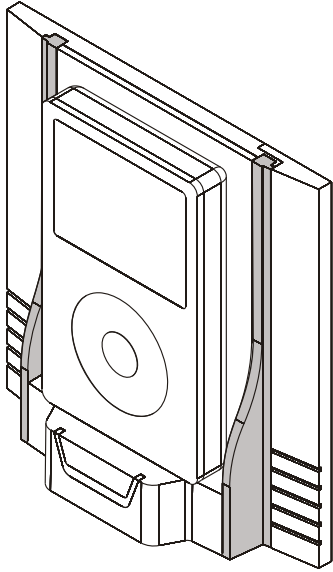


INSTRUCTIONS



AB-315 **iBus Wall-Dock for A-Bus[®] Audio Systems**



iBus[™]
By CHANNEL VISION[™]

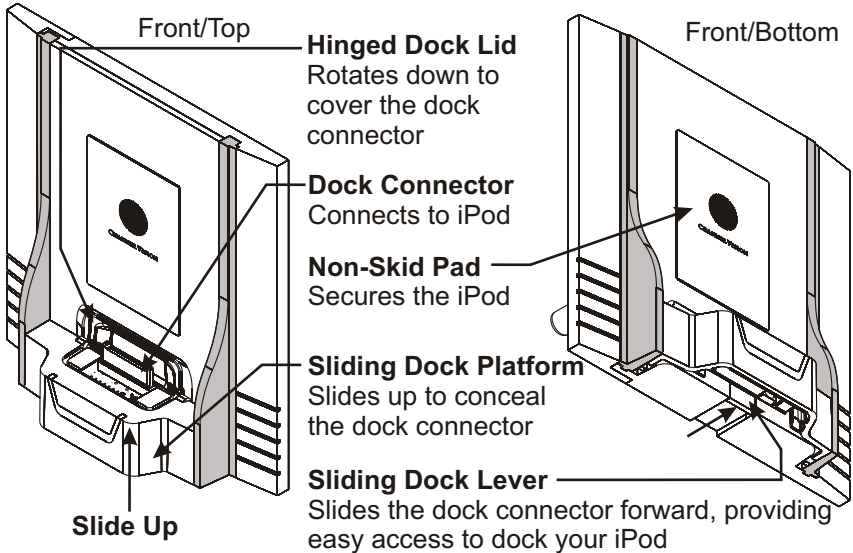
©2010 CHANNEL VISION TECHNOLOGY

The **AB-315** is an on-wall iPod® docking station for A-BUS® audio systems. The dock connector slides in and out to adjust for any iPod and the non-skid pad helps to hold the music player in place. With all the popular features of AB-313, the new AB-315 adds elegant and contemporary styling to make it the perfect choice for anyone who wants to enjoy their music without defacing their wall. (See Made For section on page 3 for a list of compatible iPods.)

Features:

- ✍ Compatible with all A-BUS audio systems
- ✍ Charges the iPod
- ✍ Senses audio to automatically override the main audio source
- ✍ Supports IR control: compatible with A0505 or Apple Remote
- ✍ Uses CAT5 cabling
- ✍ Mounts in a standard 2-gang box

Wall Dock

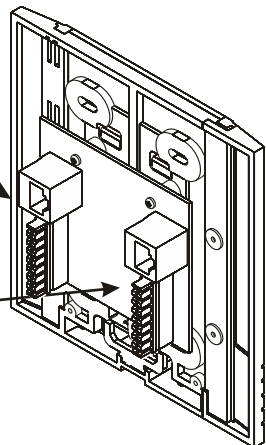


Input RJ-45 & 110 Connectors

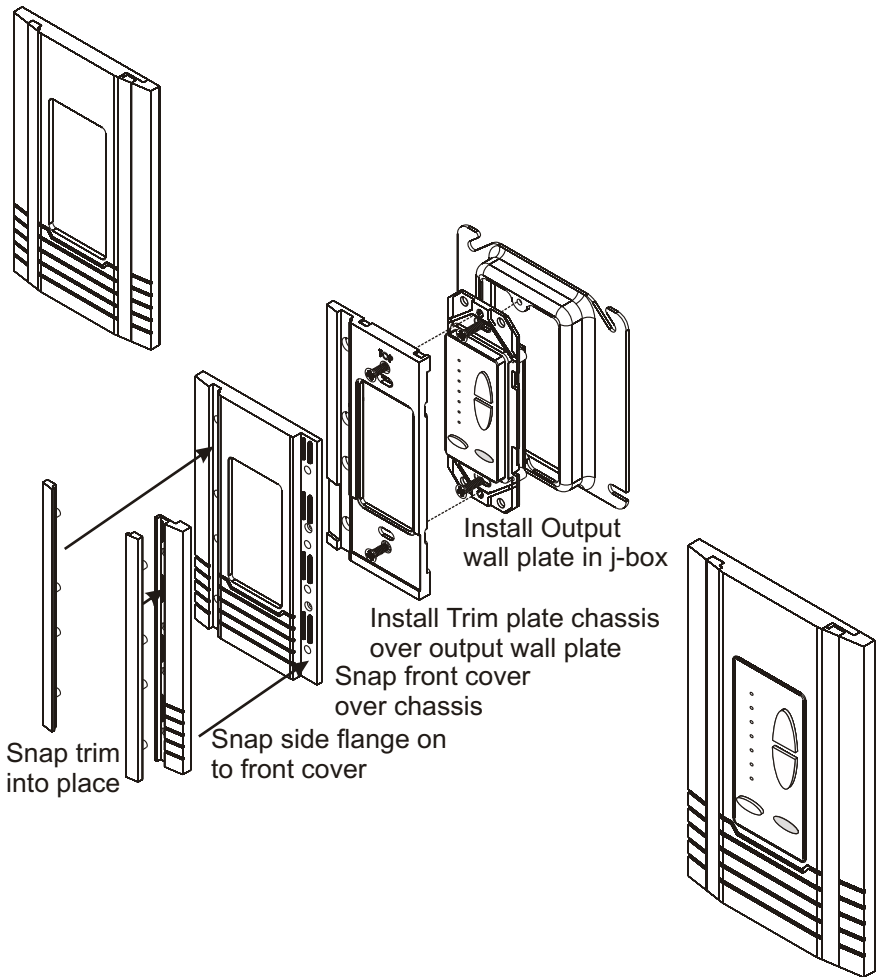
Connect to CAT5 Audio Hub
CAT5 cable (only use one)

Output RJ-45 & 110 Connectors

Connect to CAT5 Audio Amplifier Input
CAT5 cable (only use one)



Installing the Trim Plate Accessory



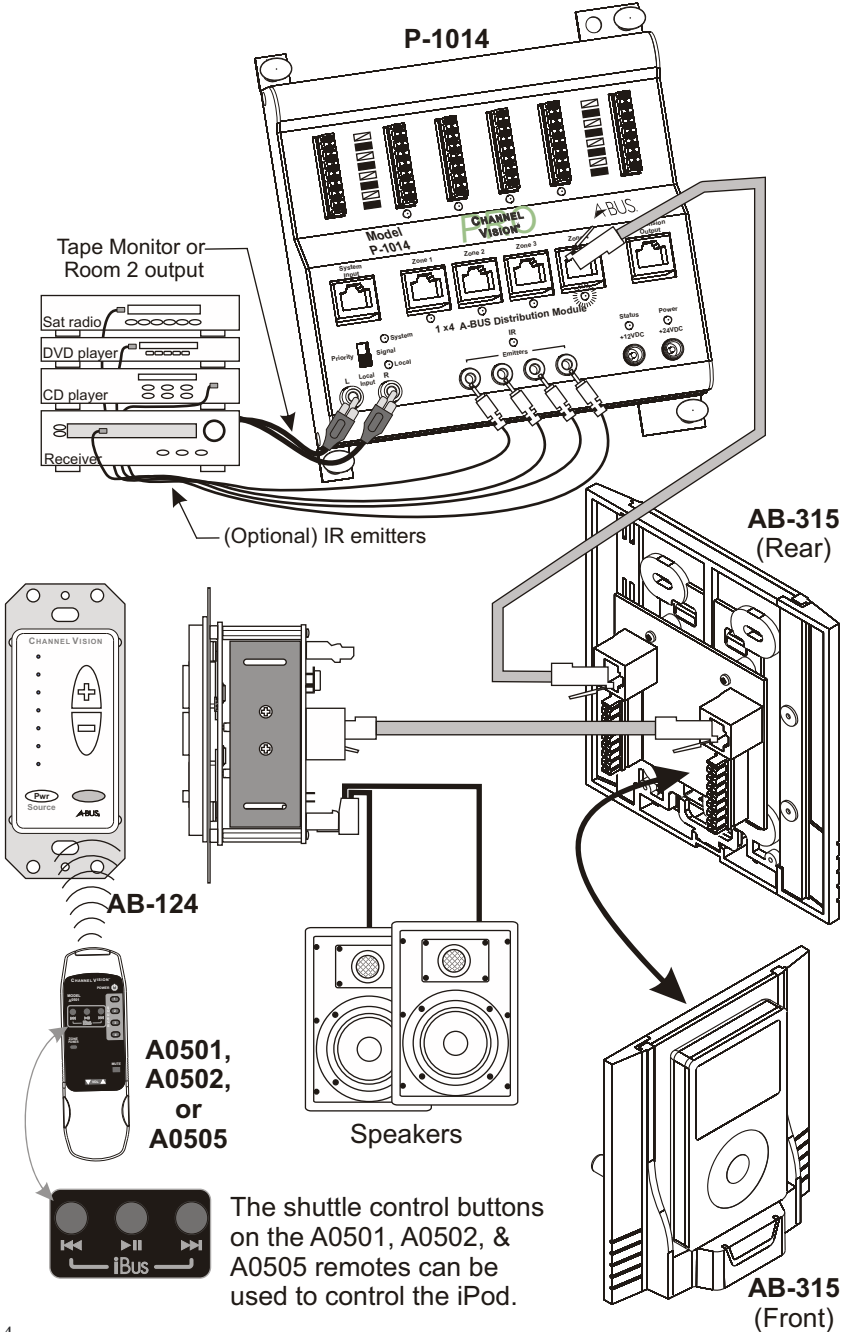
Compatibility

Made For:

- ◊ iPod touch (2nd generation)
- ◊ iPod touch (1st generation)
- ◊ iPod classic
- ◊ iPod video
- ◊ iPod nano (5th generation)
- ◊ iPod nano (4th generation)
- ◊ iPod nano (3rd generation)
- ◊ iPod nano (2nd generation)
- ◊ iPod nano (1st generation)
- ◊ iPod mini
- ◊ iPod with dock connector

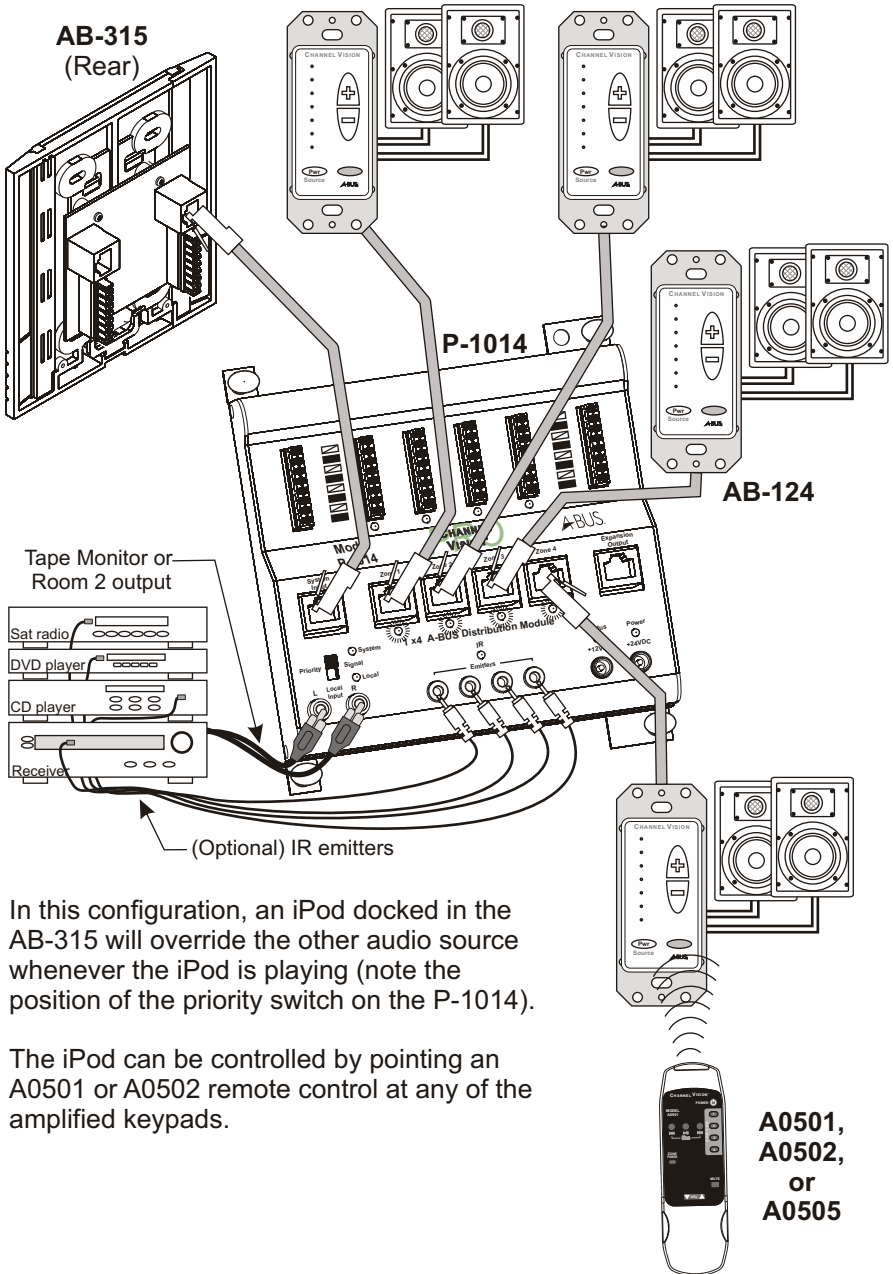
System Wiring Diagram

Using the AB-315 as a local source input module



System Wiring Diagram

Using the AB-315 as a main source input module



In this configuration, an iPod docked in the AB-315 will override the other audio source whenever the iPod is playing (note the position of the priority switch on the P-1014).

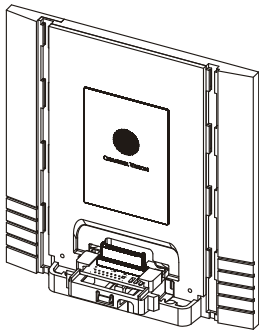
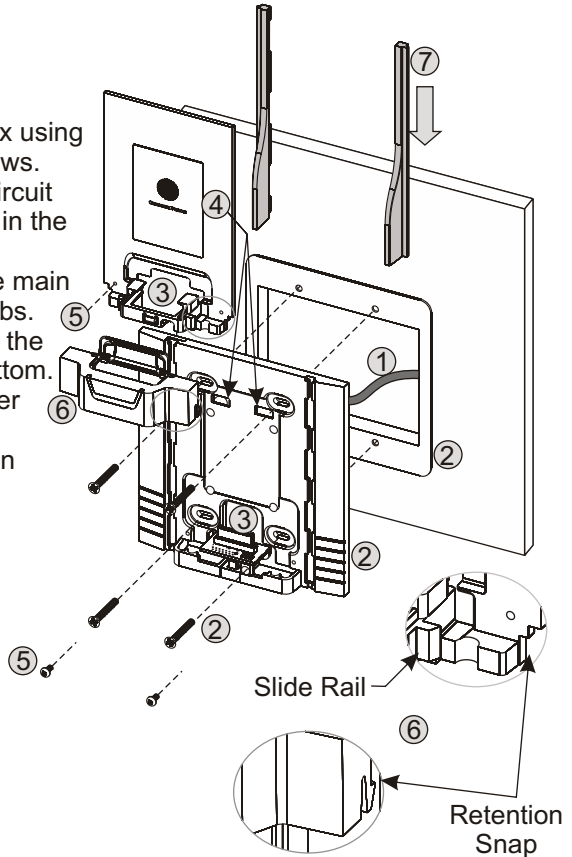
The iPod can be controlled by pointing an A0501 or A0502 remote control at any of the amplified keypads.

**A0501,
A0502,
or
A0505**

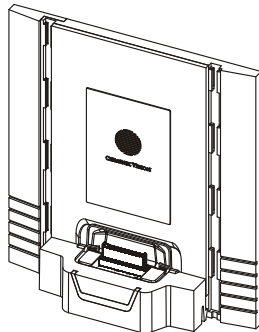
Installing the Wall Dock

Installation Steps

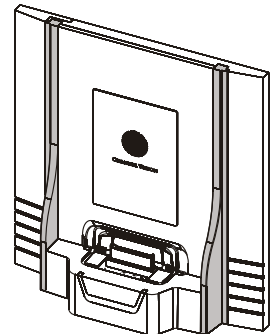
1. Connect all wiring.
2. Attach main chassis to j-box using the provided four 6-32 screws.
3. Feed the dock connector circuit board through the opening in the front cover.
4. Hang the front cover on the main chassis from the two top tabs.
5. Secure the front cover with the two small screws at the bottom.
6. Place the dock platform over the slide rail and push downward until the retention snaps are engaged.
7. Slide the side protectors into the slots on the main chassis.



Steps 3 & 4 complete



Steps 5 & 6 complete



Completed Installation

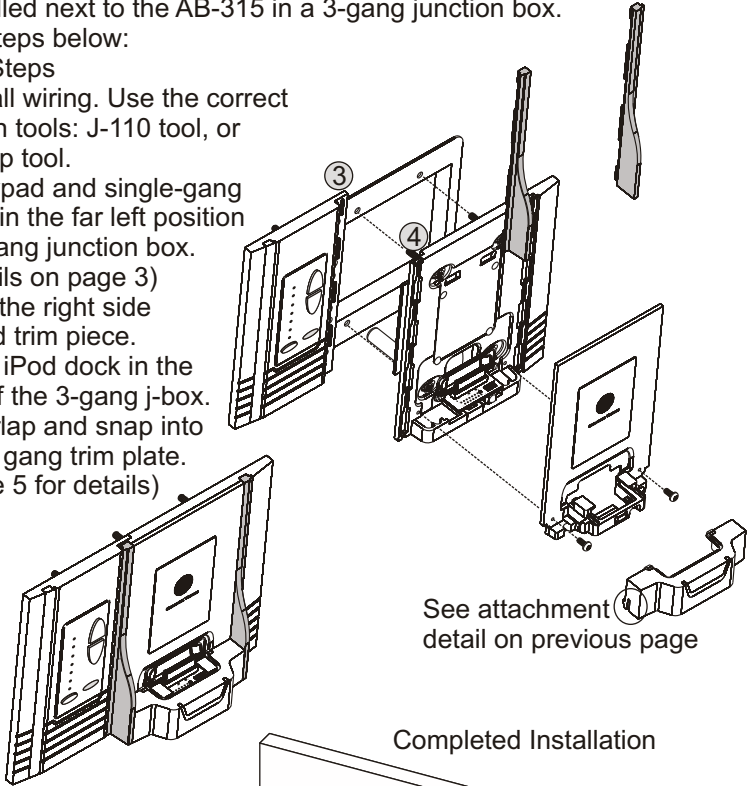
Installing the Wall Dock (3-gang Installation)

In some installations it may be desirable to mount a single gang control keypad next to the AB-315. To accomplish this, the single gang trim plate can be installed next to the AB-315 in a 3-gang junction box.

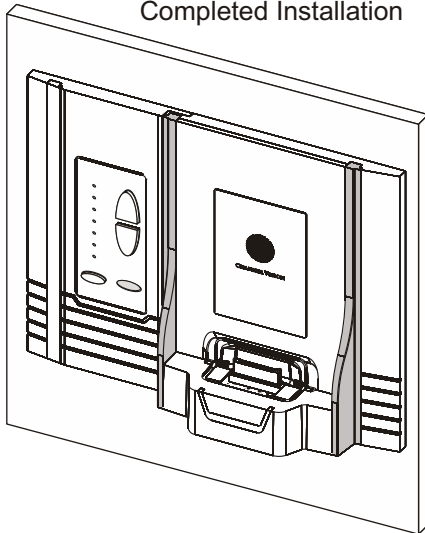
Follow the steps below:

Installation Steps

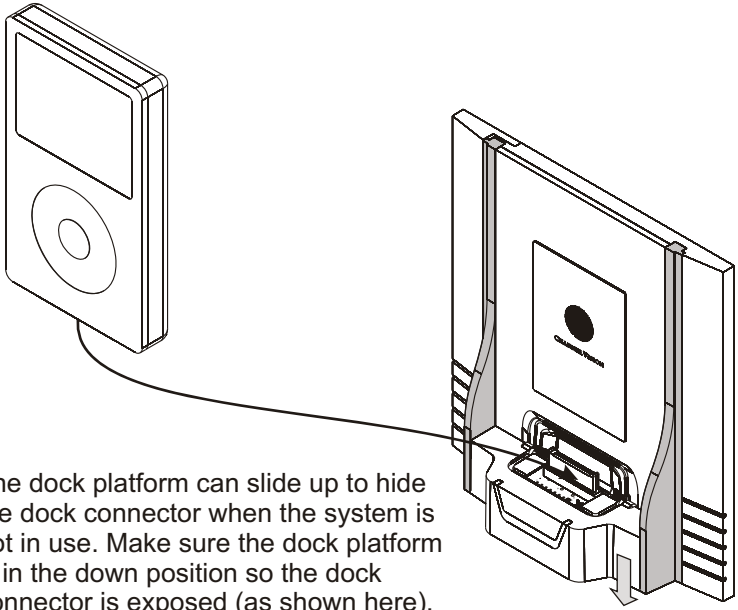
1. Connect all wiring. Use the correct installation tools: J-110 tool, or 1014 crimp tool.
2. Install keypad and single-gang trim plate in the far left position of the 3-gang junction box. (See details on page 3)
3. Leave off the right side flange and trim piece.
4. Install the iPod dock in the left side of the 3-gang j-box. It will overlap and snap into the single gang trim plate. (See page 5 for details)



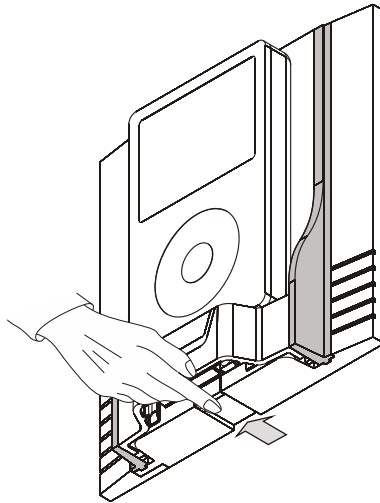
Completed Installation



Docking the iPod



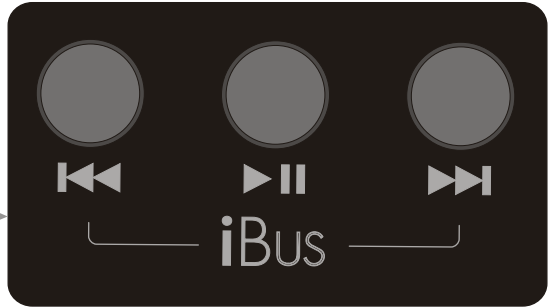
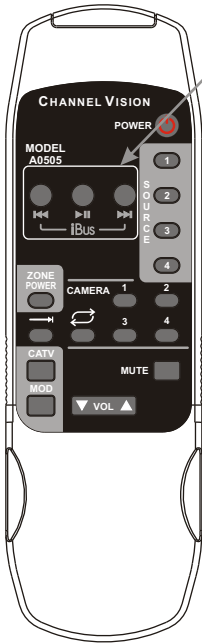
The dock platform can slide up to hide the dock connector when the system is not in use. Make sure the dock platform is in the down position so the dock connector is exposed (as shown here).



The sliding dock lever beneath the dock adjusts the position of the dock connector to create a perfect fit for all compatible iPods (see page 3 for a list of compatible iPods).

Using the A0505 Remote Control

The buttons above the iBus label on the A0505 remote control will mimic the functions on the iPod wheel.



The volume, mute, power, and source buttons on the A0505 are designed to control Channel Vision's whole-house audio systems such as the A4603 and P-1044.

Please note that this remote will only function when your iPod is docked in the AB-315 wall dock. It must be pointed at an IR receiver that is part of an amplified keypad that is wired "downstream".

We realize that custom integrators may wish to design advanced control systems. To provide assistance we have published the hex codes for the IR commands (see below). (IR codes can be downloaded at: www.channelvision.com)

Hex codes for IR commands:

iBus Play/Pause:

0000 006D 0000 000B 001F 001F 001F 001F 003F 003F 001F 001F 001F 001F 001F 001F 001F 003F 001F 001F 001F 003F 001F 001F 003F 003F 001F 0CA2

iBus Skip <<:

0000 006D 0000 000B 001F 001F 003F 001F 001F 003F 001F 001F 001F 001F 001F 001F 003F 001F 001F 001F 003F 001F 001F 003F 003F 001F 0CA2

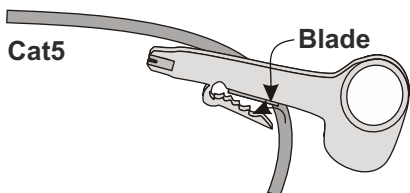
iBus Skip >>:

0000 006D 0000 000A 001F 001F 001F 001F 003F 003F 001F 001F 001F 001F 001F 001F 003F 003F 001F 001F 003F 003F 001F 001F 003F 003F 0CC3

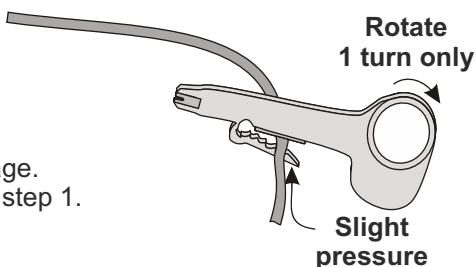
Stripping and Connecting CAT5 Wire

CAT5 cable should be stripped with a proper stripping tool, such as Channel Vision's J-110 tool.

1. Place the CAT5 between the blade and the first notch of the J-110 tool.



2. Rotate the tool only once. Multiple turns will cause you to cut into the inner wires.

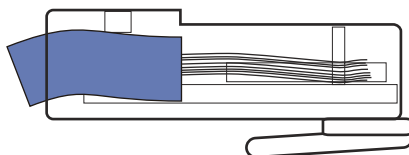


3. Inspect the inner wires for damage. If any wires are cut start over at step 1.



TIA-568A RJ-45 Modular Plug

Side view:



Top view:



Connection Tips and Troubleshooting

- 1) Be sure you have connected the CAT5 cable correctly. Follow the TIA-568A standard at both ends. Incorrect wiring can cause distorted sound or prevent the system from working at all!
- 2) Be sure you have connected the speakers in phase. Follow the label on the product. Out of phase speakers can rob the system of its bass. Especially when driving dual-voice-coil speakers.
- 3) Trouble with IR control?
 - a. Make sure you are using the correct remote control. The AB-315 will only respond to IR signals from the Apple Remote produced by Apple Computer or the A0505 produced by Channel Vision. Other 3rd party remote controls are not supported.
 - b. Check the batteries in the remote control and change them if necessary.
- 4) The AB-315 is designed to charge the iPod (*see compatibility notes on page 3*). When the iPod is not playing music, the screen should indicate that the iPod is being charged. If this does not occur, make sure the power is reaching the volume control keypad (press the volume buttons to see if the LED indicators light up).
- 5) Observe wiring distance specifications. The maximum recommended wire length between the wall dock and CAT5 audio hub is 250 feet. Although the AB-315 may work at greater distances, extreme distances are not recommended because erratic performance may result due to the power loss caused by the CAT5 wire.
- 6) If you are experiencing problems with your iPod that occur even when it is not docked in the AB-315, then please contact Apple customer service for support.
- 7) If you need additional help troubleshooting the AB-315 please contact Channel Vision technical support or check our website for more details: www.channelvision.com.



1 Year Limited Warranty

Channel Vision Technology will repair or replace any defect in material or workmanship which occurs during normal use of this product with new or rebuilt parts, free of charge in the USA, for two years from the date of original purchase. This is a no hassle warranty with no mail in warranty card needed. This warranty does not cover damages in shipment, failures caused by other products not supplied by Channel Vision Technology, or failures due to accident, misuse, abuse, or alteration of the equipment. This warranty is extended only to the original purchaser, and a purchase receipt, invoice, or other proof of original purchase date will be required before warranty repairs are provided.

Mail in service can be obtained during the warranty period by calling (800) 840-0288 toll free. A Return Authorization number must be obtained in advance and can be marked on the outside of the shipping carton.

This warranty gives you specific legal rights and you may have other rights (which vary from state to state). If a problem with this product develops during or after the warranty period, please contact Channel Vision Technology, your dealer or any factory-authorized service center.

Channel Vision products are not intended for use in medical, lifesaving, life sustaining or critical environment applications. Channel Vision customers using or selling Channel Vision products for use in such applications do so at their own risk and agree to fully indemnify Channel Vision for any damages resulting from such improper use or sale.

Specifications: (typical @25° C)

Operating Voltage :	24VDC
Cable Requirements:	CAT-5 or better
Recommended Max. Cable Length:	250ft.
Operating Temperature:	-10°C to +50°C

Specifications subject to change without notice.

iPod is a trademark of Apple, Inc., registered in the U.S. and other countries.



Tested To Comply
With FCC Standards

Model: AB-315 iPod Wall Dock for Distributed Audio

This device complies with part 15 of the FCC rules. Operation is subject to the following two conditions: (1) This device may not cause harmful interference, and (2) This device must accept any interference received, including interference that may cause undesired operation.



234 Fischer Avenue, Costa Mesa, California 92626 USA
(714)424-6500 • (800)840-0288 • (714)424-6510 fax
email: techsupport@channelvision.com